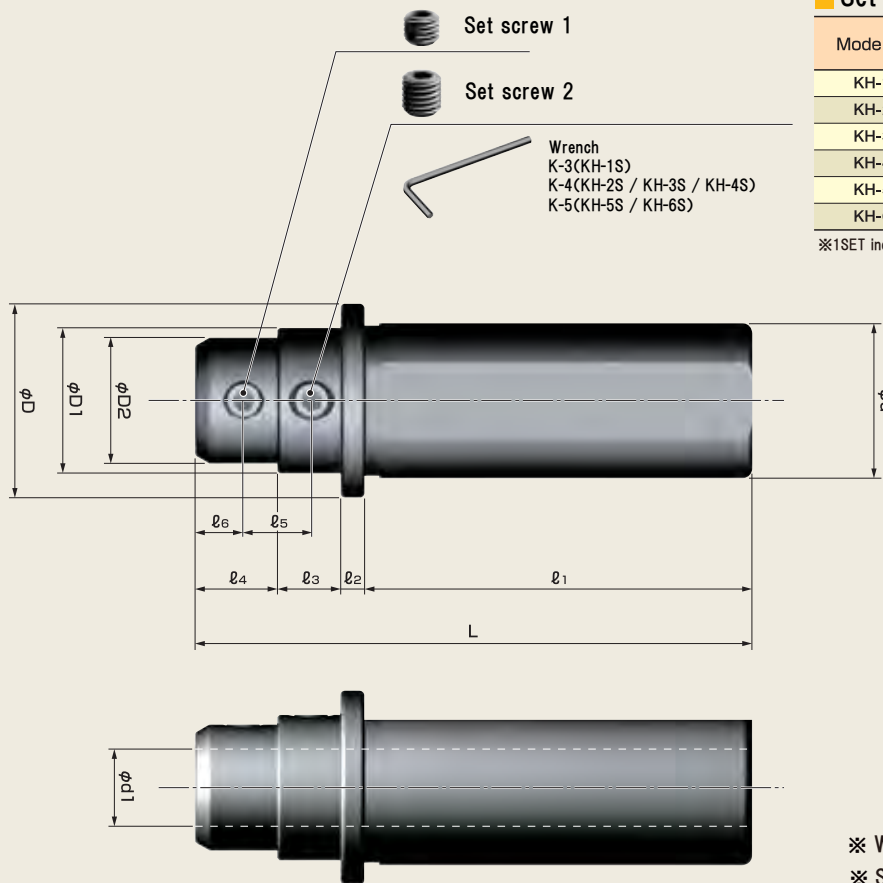


## Greatly increase life of Insert !

- Suitable for Inner Diameter and boring process with Turning Center etc
- Sleeve with step structure cutting oil spread in whole places of insert during processing of inner diameter and the life of insert has been increasing more Than 20%.
- Adjustable screw is located at the front.  
You can easily adjust the Boring bar length without removing from holder.



### Set screw

Model No.	Dimensions (mm)	
	Set screw 1	Set screw 2
KH-1S	M6×8	M6×10
KH-2S	M8×6	M8×6
KH-3S	M8×8	M8×8
KH-4S	M8×10	M8×8
KH-5S	M10×8	M10×8
KH-6S	M10×8	M10×10

※1SET include (each of set screw-1 and set screw-2)

- ※ Wrench is not equipped as standard accessory
- ※ Set screw are supplied as standard accessory

### Body

Model No.	Dimensions (mm)													Set screw
	$\phi D$	$\phi D1$	$\phi D2$	$\phi d$	$\phi d1$	L	$\ell_1$	$\ell_2$	$\ell_3$	$\ell_4$	$\ell_5$	$\ell_6$	F	
KJD32S08	40	28	24	32	8	115	80	5	15	15	14	10	30	KH-1S
KJD32S10	40	25	—	32	10	115	80	5	30	—	14	10	30	KH-2S
KJD32S12	40	25	—	32	12	115	80	5	30	—	14	10	30	KH-2S
KJD32S16	40	30	26	32	16	115	80	5	13	17	14	10	30	KH-2S
KJD32S20	40	32	—	32	20	115	80	5	30	—	13	11	30	KH-2S
KJD40S08	47	28	24	40	8	120	80	5	15	20	16	12	38	KH-1S
KJD40S10	47	32	28	40	10	120	80	5	15	20	15	13	38	KH-3S
KJD40S12	47	32	28	40	12	120	80	5	15	20	15	13	38	KH-3S
KJD40S16	47	34	31	40	16	120	80	5	15	20	15	13	38	KH-4S
KJD40S20	47	35	—	40	20	120	80	5	35	—	15	13	38	KH-5S
KJD40S25	48	40	—	40	25	120	80	15	25	—	17.5	15	38	KH-6S